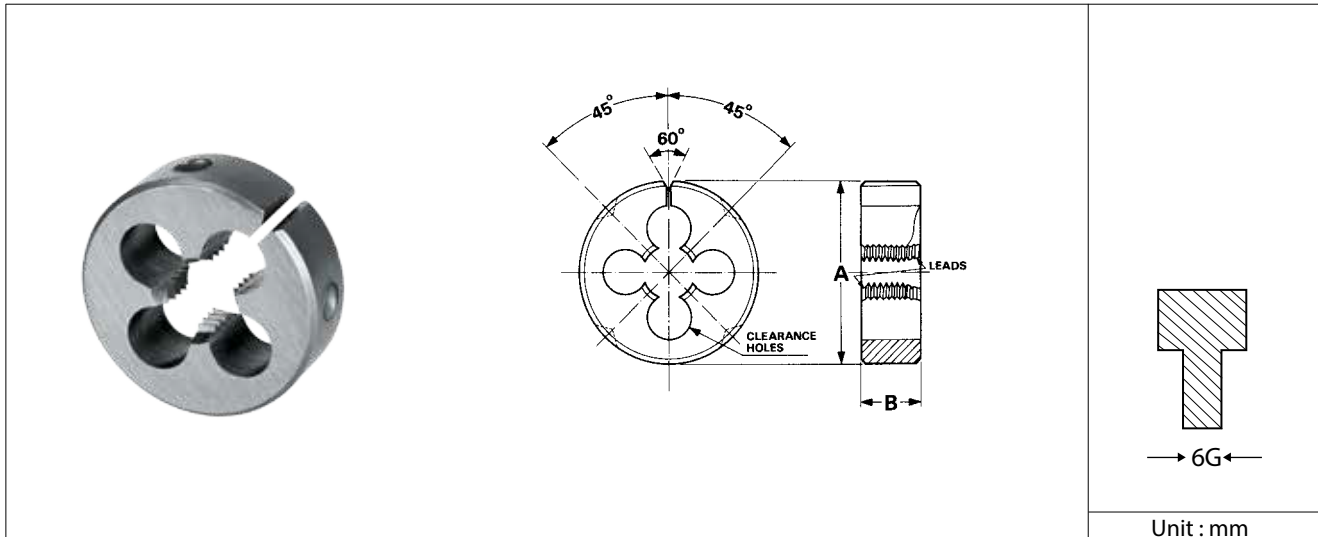
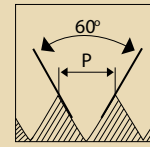




Threading Taps

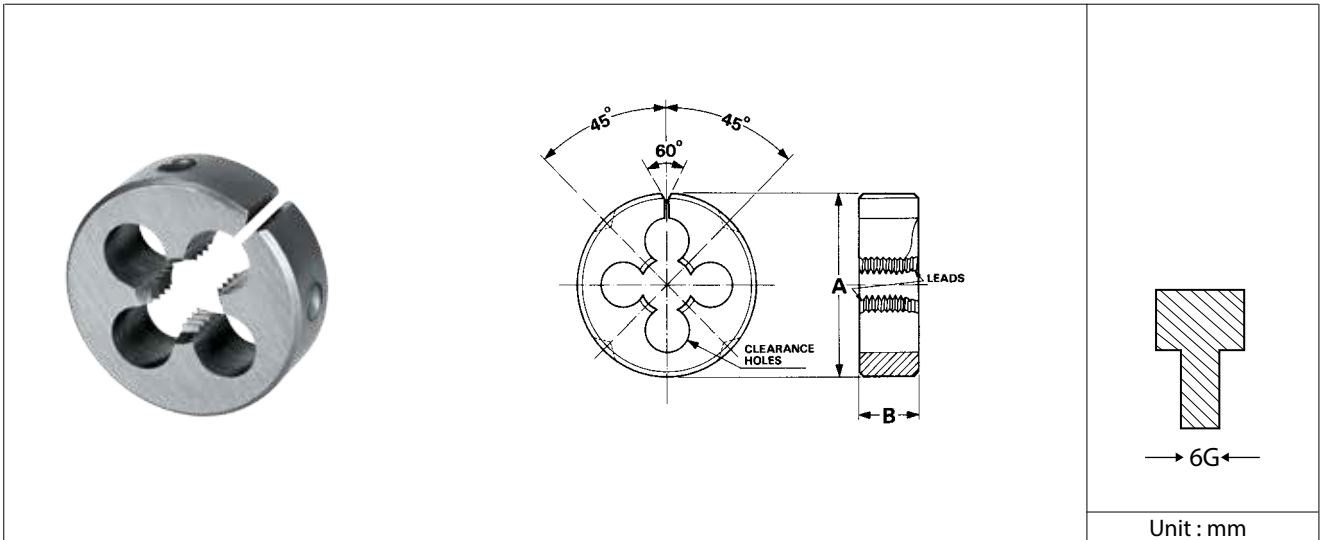
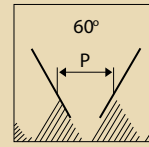


Unit : mm

Nominal Diameter	Pitch	Outer Diameter	Thickness	Clearance Holes	Threading Diameter
ØD	p	A	B		
M 2	0.4	13/16"	1/4"	3	1.96
M 3	0.5	13/16"	1/4"	3	2.95
M 4	0.7	13/16"	1/4"	3	3.95
M 5	0.8	13/16"	1/4"	3	4.95
M 6	1	13/16"	1/4"	4	5.93
M 7	1	13/16"	1/4"	4	6.93
M 6	1	1"	3/8"	4	5.93
M 7	1	1"	3/8"	4	6.93
M 8	1.25	1"	3/8"	4	7.92
M 9	1.25	1"	3/8"	4	8.93
M 10	1.5	1"	3/8"	4	9.91
M 12	1.75	1.1/2"	1/2"	4	11.90
M 14	2	1.1/2"	1/2"	5	13.89
M 16	2	1.1/2"	1/2"	5	15.89
M 18	2.5	1.1/2"	1/2"	6	17.88
M 20	2.5	1.1/2"	1/2"	6	19.88



Threading Taps



Unit : mm

Nominal Diameter	Pitch	Outer Diameter	Thickness	Clearance Holes	Threading Diameter
ØD	p	A	B		
M 20	2.5	2"	5/8"	5	19.88
M 22	2.5	2"	5/8"	5	21.88
M 24	3	2"	5/8"	5	23.88
M 27	3	2.1/4"	11/16"	6	
M 30	3.5	2.1/4"	11/16"	6	
M 33	3.5	2.1/4"	11/16"	6	
M 36	4	2.1/2"	7/8"	6	
M 36	4	3"	7/8"	6	
M 39	4	3"	7/8"	6	
M 42	4.5	3"	7/8"	6	
M 48	5	4"	1"	6	